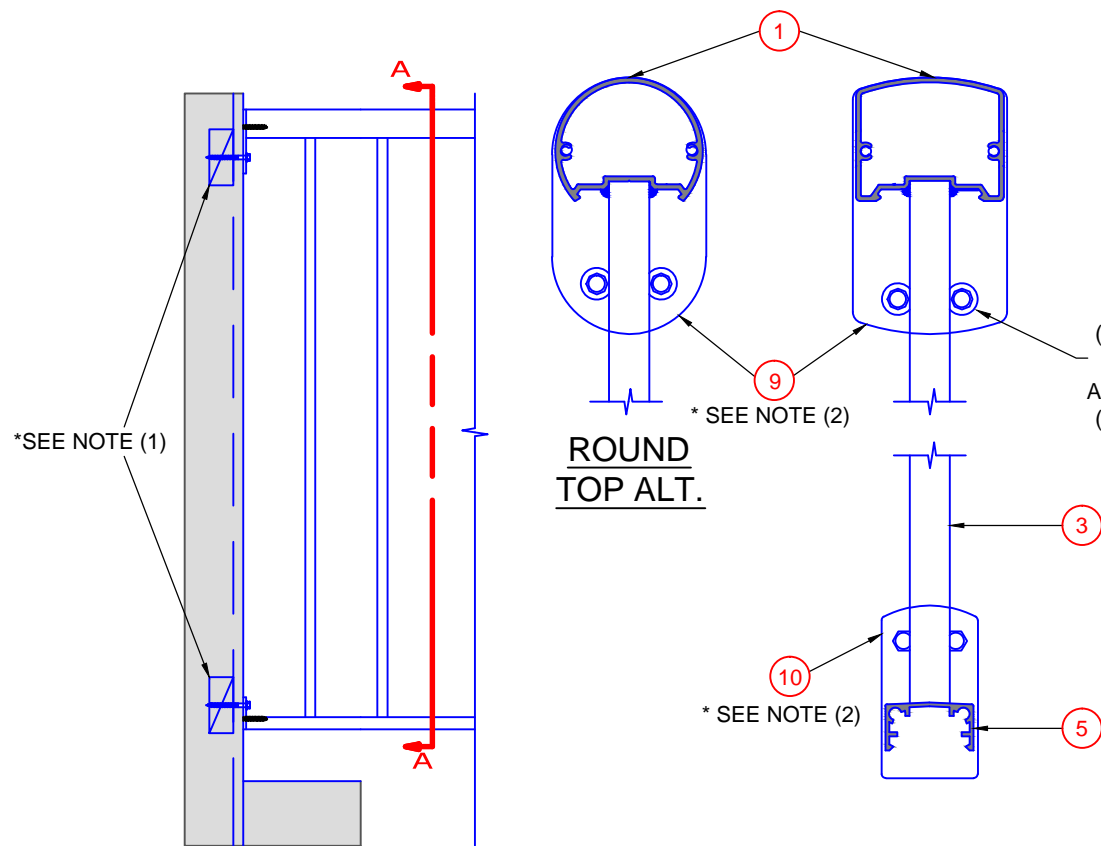


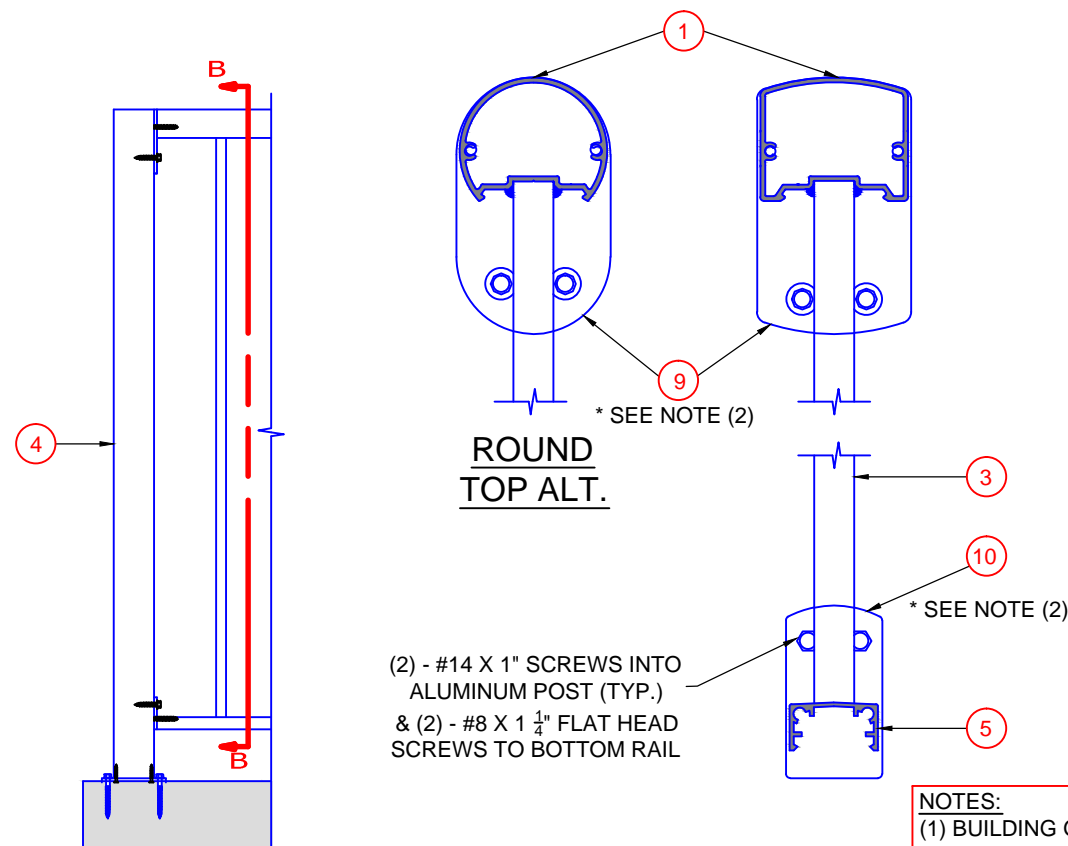
BUILDING CONNECTION



END CLIP CONNECTION

SECTION A-A

2 1/2" ALUMINUM POST CONNECTION



POST CLIP CONNECTION

SECTION B-B

PARTS LIST	
ITEM	DESCRIPTION
1	2 1/4" SQUARE <input type="checkbox"/> OR ROUND TOP <input type="checkbox"/> RAIL (CHECK CORRECT BOX)
2	(NOT SHOWN)
3	5/8" X 5/8" ALUMINUM PICKET
4	2 1/2" STANDARD ALUMINUM POST
5	1 3/8" X 3/4" BOTTOM CHANNEL
6	(NOT SHOWN)
7	PICKET LEG
8	(NOT SHOWN)
9	TOP RAIL END CLIP
10	BOTTOM RAIL END CLIP
11	(NOT SHOWN)
12	(NOT SHOWN)

NOTES:
 (1) BUILDING GENERAL CONTRACTOR MUST ENSURE THAT PROPER BACKING IS PROVIDED FOR FIRM ANCHORAGE OF GUARD RAIL ENDS
 (2) TOP & BOTTOM END CLIPS ROTATE IN 4 POSITIONS (DEFAULT POSITION SHOWN, ROTATE TO SUIT SITE CONDITIONS PER 3D DIAGRAM BELOW.
 (3) PICKET LEG SNAPS INTO BOTTOM RAIL PROFILE (CONNECT PER "TP" DRAWINGS)

*SEE NOTE (1)

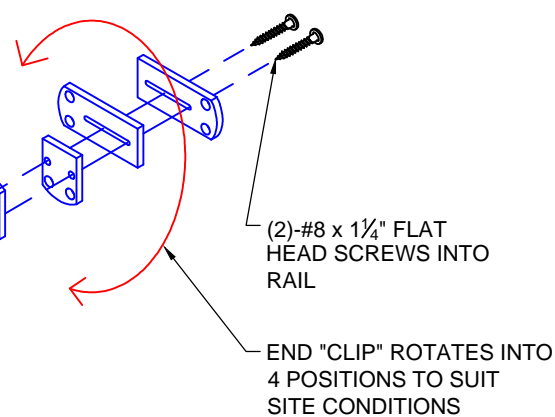
* SEE NOTE (2)

(2) - 1/4" Ø X 2 1/2" SCREWS OR (2) - #14 X 2 1/2" TAPCON ANCHORS INTO CONCRETE (TYP. FOR TOP & BOTTOM END CLIPS)

* SEE NOTE (2)

(2) - #14 X 1" SCREWS INTO ALUMINUM POST (TYP.) & (2) - #8 X 1 1/4" FLAT HEAD SCREWS TO BOTTOM RAIL

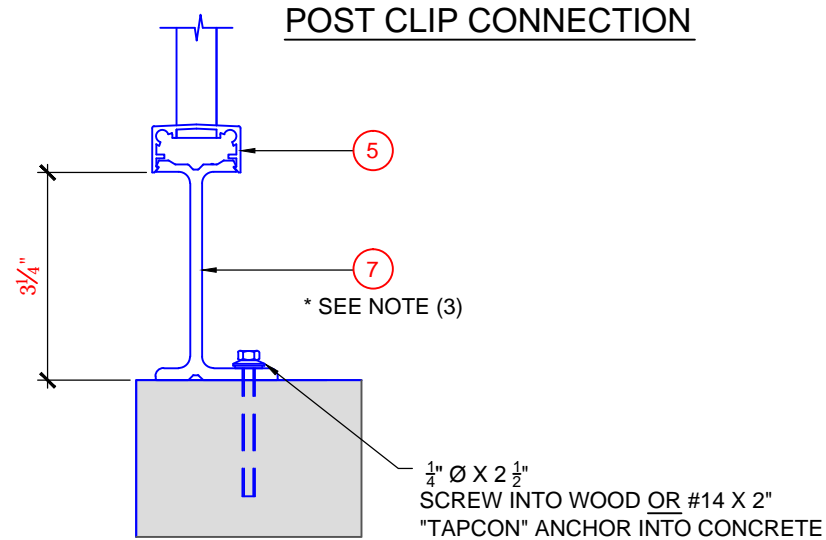
* SEE NOTE (2)



BOTTOM RAIL END CLIP ROTATION

(2)-#8 x 1 1/4" FLAT HEAD SCREWS INTO RAIL

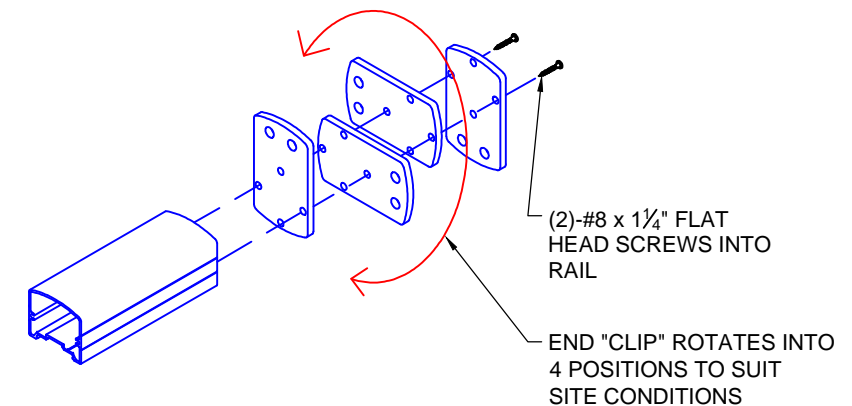
END "CLIP" ROTATES INTO 4 POSITIONS TO SUIT SITE CONDITIONS



PICKET LEG CONNECTION

* SEE NOTE (3)

1/4" Ø X 2 1/2" SCREW INTO WOOD OR #14 X 2" "TAPCON" ANCHOR INTO CONCRETE



TOP RAIL END CLIP ROTATION

(2)-#8 x 1 1/4" FLAT HEAD SCREWS INTO RAIL

END "CLIP" ROTATES INTO 4 POSITIONS TO SUIT SITE CONDITIONS

DRAWN	RK	PROJECT No	YEAR / No
DESIGNED	RDH	CHECKED	RDH
SCALE	NTS	CHECKED	DATE