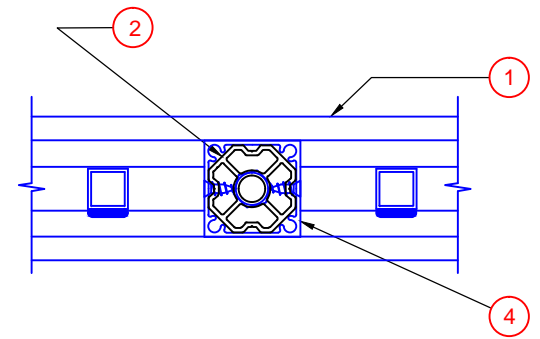
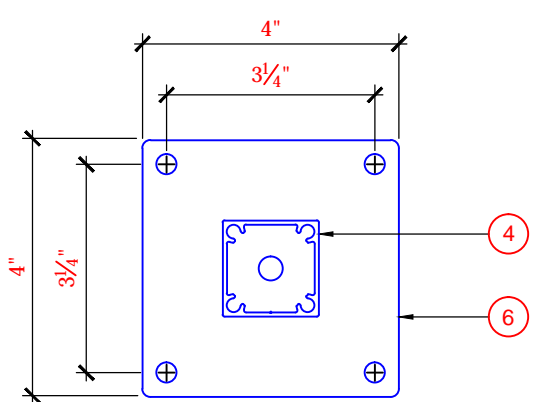


END CLIP CONNECTION

ELEVATION

SECTION A-A



SECTION C-C
BASE PLATE

SECTION B-B
POST CONNECTION

NOTES:
 (1) BUILDING GENERAL CONTRACTOR IS RESPONSIBLE FOR PROVIDING ADEQUATE BACKING IN WALLS AND FLOORS TO AFFIX TO THE BUILDING THE ALUMINUM GUARDRAIL LAYOUT DEFINED IN THESE DRAWINGS
 (2) WELD PICKET TO UNDERSIDE OF TOP OF PART #1 OR #5

PARTS LIST	
ITEM	DESCRIPTION
1	2 1/4" SQUARE <input type="checkbox"/> OR ROUND TOP <input type="checkbox"/> RAIL (CHECK CORRECT BOX)
2	RAIL/POST CONNECTOR C/W #14 X 2" HEX HEAD SCREW TO RAIL & (2) - #8 X 1/2" SCREWS TO POST
3	5/8" X 5/8" ALUMINUM PICKET
4	1 1/2" STANDARD ALUMINUM POST
5	1 3/8" X 3/4" BOTTOM CHANNEL
6	4" X 4" X 1/4" BASE C/W (4) - 5/16" Ø X 3 1/4" LAG SCREW INTO WOOD OR (4) - 3/8" Ø X 3" KWIK BOLTS II ANCHORS INTO CONCRETE AND TO POST W/ (4) - #12 X 2" FLAT HEAD SCREWS
7	PICKET LEG C/W 1/4" Ø X 2 1/2" SCREW INTO WOOD OR #14 X 2" "TAPCON" ANCHOR INTO CONCRETE
8	(NOT SHOWN)
9	TOP RAIL END CLIP C/W (2) - 1/4" Ø X 2 1/2" SCREWS INTO WOOD OR (2) - #14 X 1" SCREWS INTO ALUMINUM POST & (2) - #8 X 1 1/4" FLAT HEAD SCREWS TO TOP RAIL
10	BOTTOM RAIL END CLIP C/W (2) - 1/4" Ø X 2 1/2" SCREWS INTO WOOD OR (2) - #14 X 1" SCREW INTO ALUMINUM POST AND (2) - #8 X 1 1/4" FLAT HEAD SCREWS TO BOTTOM RAIL
11	(NOT SHOWN)
12	CHANNEL BLOCK C/W (2) - #10 X 1 3/4" SCREWS TO POST

Manufactured by...
VISTA[®]
 Professional Railing Systems
 9747 199A Street, Langley, BC, Canada, V1M 2X7
 Phone: 604-467-5147 info@vistarailings.com
 Fax: 604-467-1197 www.vistarailings.com

PROJECT: PROJECT NAME LOCATION: ADDRESS CITY
 CLIENT: CLIENT NAME

ALUMINUM GUARDRAILS			
DRAWN	RK	PROJECT No	YEAR / No
DESIGNED	RDH	CHECKED	RDH
SCALE	NTS	CHECKED	DATE

PLEASE NOTE: These drawings are for general guidelines only and are not stamped engineered shop drawings. It is important that for any project or site specific applications and requirements, shop drawings must be created and stamped by a Professional Engineer.

TOP MOUNT 1.5 POST PICKET GUARD
 DRAWING No **TP1.5**