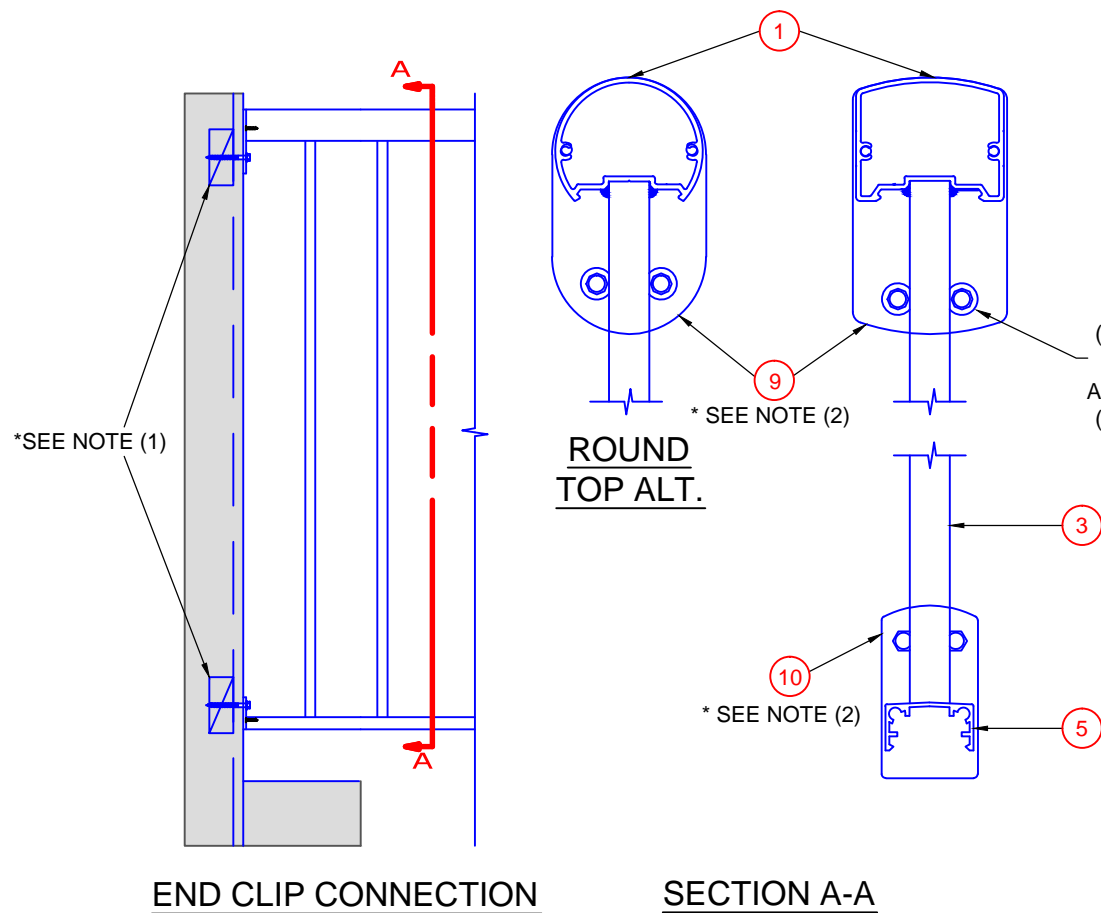
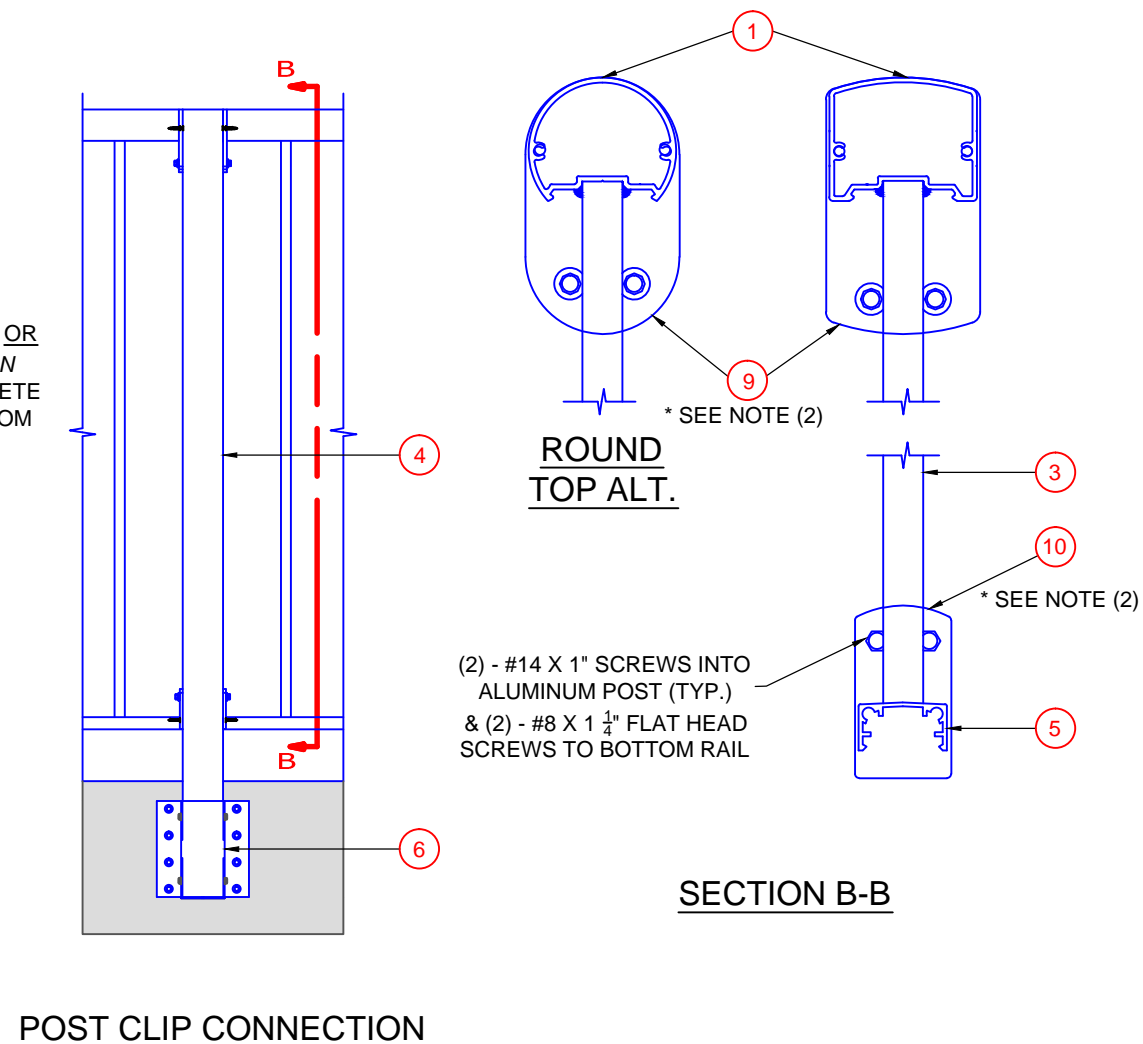


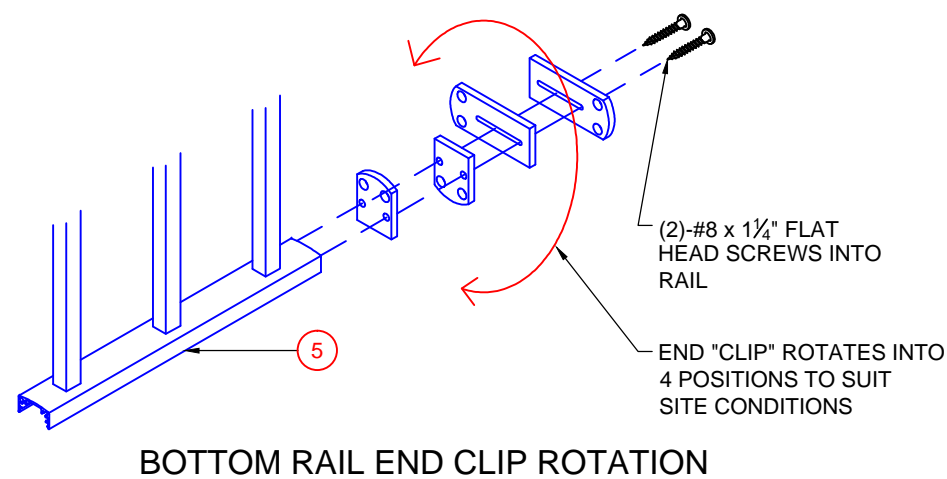
BUILDING CONNECTION



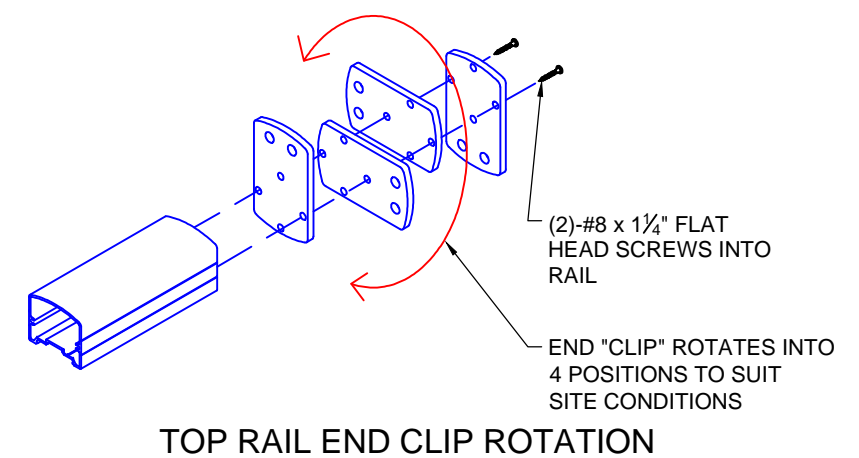
2 $\frac{1}{2}$ " ALUMINUM POST CONNECTION



PARTS LIST	
ITEM	DESCRIPTION
1	2 $\frac{1}{4}$ " SQUARE <input type="checkbox"/> OR ROUND TOP <input type="checkbox"/> RAIL (CHECK CORRECT BOX)
2	(NOT SHOWN)
3	$\frac{5}{8}$ " X $\frac{5}{8}$ " ALUMINUM PICKET
4	2 $\frac{1}{2}$ " STANDARD ALUMINUM POST
5	1 $\frac{3}{8}$ " X $\frac{3}{4}$ " BOTTOM CHANNEL
6	FASCIA BRACKET (2 $\frac{1}{2}$ " POST)
7	(NOT SHOWN)
8	(NOT SHOWN)
9	TOP RAIL END CLIP
10	BOTTOM RAIL END CLIP
11	(NOT SHOWN)



NOTES:
 (1) BUILDING GENERAL CONTRACTOR MUST ENSURE THAT PROPER BACKING IS PROVIDED FOR FIRM ANCHORAGE OF GUARD RAIL ENDS
 (2) TOP & BOTTOM END CLIPS ROTATE IN 4 POSITIONS (DEFAULT POSITION SHOWN, ROTATE TO SUIT SITE CONDITIONS PER 3D DIAGRAM BELOW.



DRAWN	RK	PROJECT No	YEAR / No
DESIGNED	RDH	CHECKED	RDH
SCALE	NTS	CHECKED	DATE