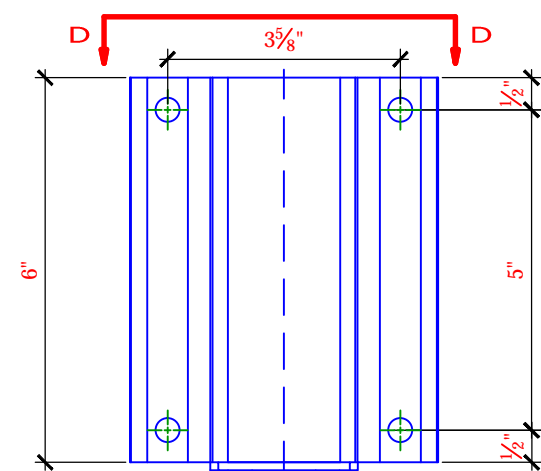


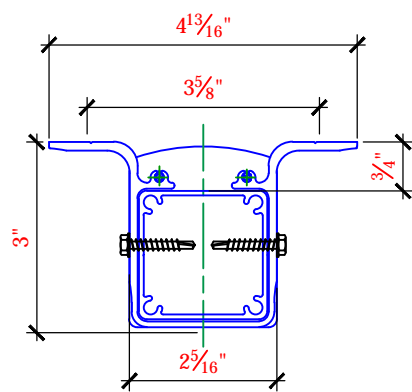
END CLIP CONNECTION

ELEVATION

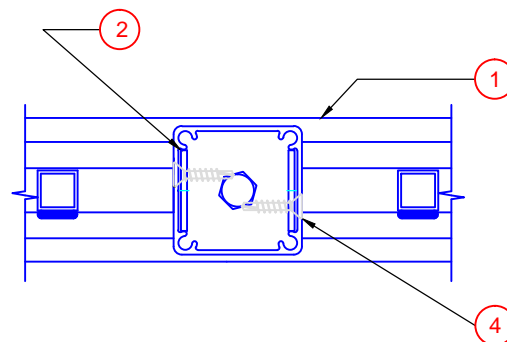
SECTION A-A



DETAIL 'C'
FASCIA BRACKET



SECTION D-D



SECTION B-B
POST CONNECTION

PARTS LIST	
ITEM	DESCRIPTION
1	2 1/4" SQUARE □ OR ROUND TOP □ RAIL (CHECK CORRECT BOX)
2	RAIL/POST CONNECTOR C/W #14 X 1" HEX HEAD SCREW TO RAIL & (2) - #8 X 1/2" SCREWS TO POST
3	5/8" X 5/8" ALUMINUM PICKET
4	2" STANDARD ALUMINUM POST
5	1 3/8" X 3/4" BOTTOM CHANNEL
6	FASCIA BRACKET (2" POST) C/W (6) - 5/16" Ø X 3 1/4" LAG SCREW INTO WOOD OR (6) - 3/8" Ø X 3" KWIK BOLTS II ANCHORS INTO CONCRETE AND TO POST W/ (4) - #12 X 1" HEX HEAD SCREWS C/W SHEET METAL THREADS AND 1/4" SHANK
7	(NOT SHOWN)
8	(NOT SHOWN)
9	TOP RAIL END CLIP C/W (2) - 1/4" Ø X 2 1/2" SCREWS INTO WOOD OR (2) - #14 X 1" SCREWS INTO ALUMINUM POST & (2) - #8 X 1 1/4" FLAT HEAD SCREWS TO TOP RAIL
10	BOTTOM RAIL END CLIP C/W (2) - 1/4" Ø X 2 1/2" SCREWS INTO WOOD OR (2) - #14 X 1" SCREW INTO ALUMINUM POST AND (2) - #8 X 1 1/4" FLAT HEAD SCREWS TO BOTTOM RAIL
11	(NOT SHOWN)
12	CHANNEL BLOCK C/W (2) - #10 X 1 3/4" SCREWS TO POST

NOTES:

(1) BUILDING GENERAL CONTRACTOR IS RESPONSIBLE FOR PROVIDING ADEQUATE BACKING IN WALLS AND FLOORS TO AFFIX TO THE BUILDING THE ALUMINUM GUARDRAIL LAYOUT DEFINED IN THESE DRAWINGS

(2) WELD PICKET TO UNDERSIDE OF TOP OF PART #1 OR #5

ALUMINUM GUARDRAILS

DRAWN	RK	PROJECT No	YEAR / No
DESIGNED	RDH	CHECKED	RDH
SCALE	NTS	CHECKED	DATE

PLEASE NOTE: These drawings are for general guidelines only and are not stamped engineered shop drawings. It is important that for any project or site specific applications and requirements, shop drawings must be created and stamped by a Professional Engineer.

FASCIA MOUNT 2.0 POST PICKET GUARD

DRAWING No
FP2.0