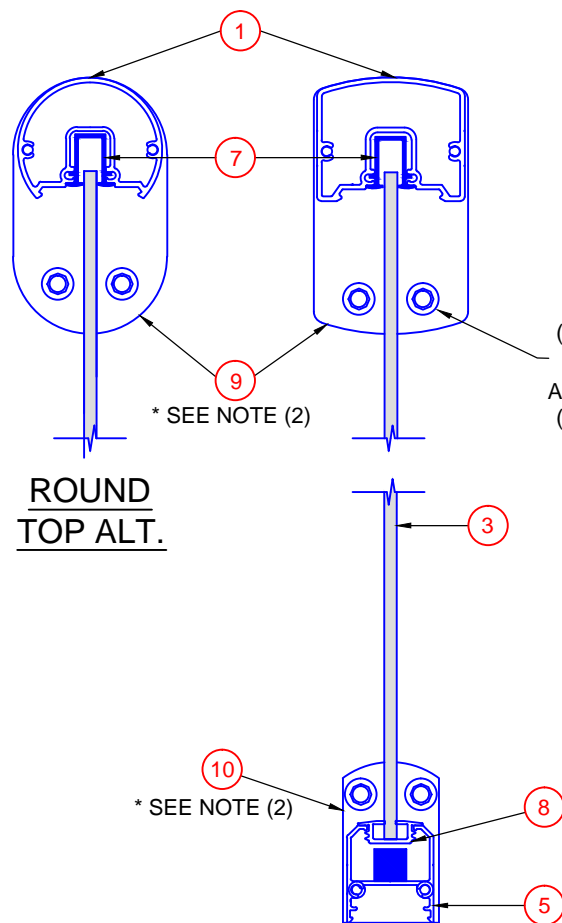


*SEE NOTE (1)

END CLIP CONNECTION



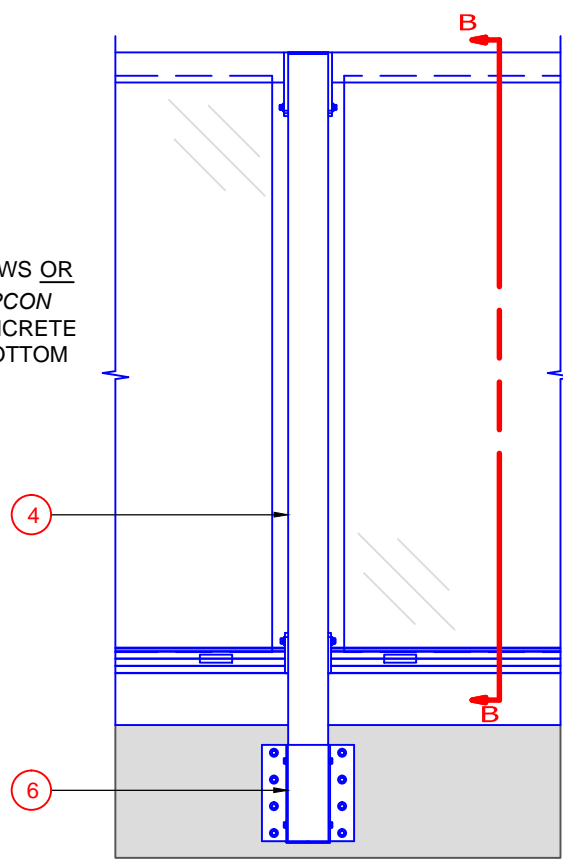
ROUND TOP ALT.

* SEE NOTE (2)

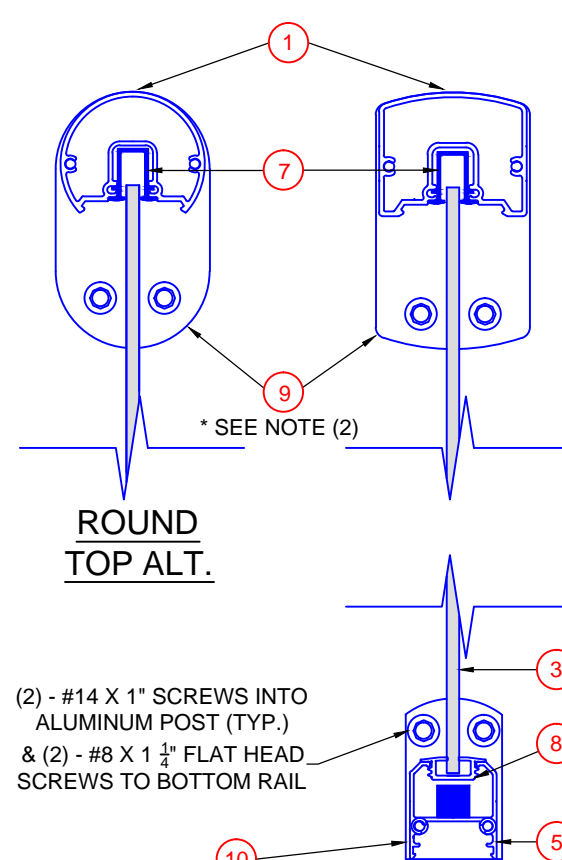
* SEE NOTE (2)

SECTION A-A

(2) - 1/4" Ø X 2 1/2" SCREWS OR
(2) - #14 X 2 1/2" TAPCON
ANCHORS INTO CONCRETE
(TYP. FOR TOP & BOTTOM
END CLIPS)



POST CLIP CONNECTION



ROUND TOP ALT.

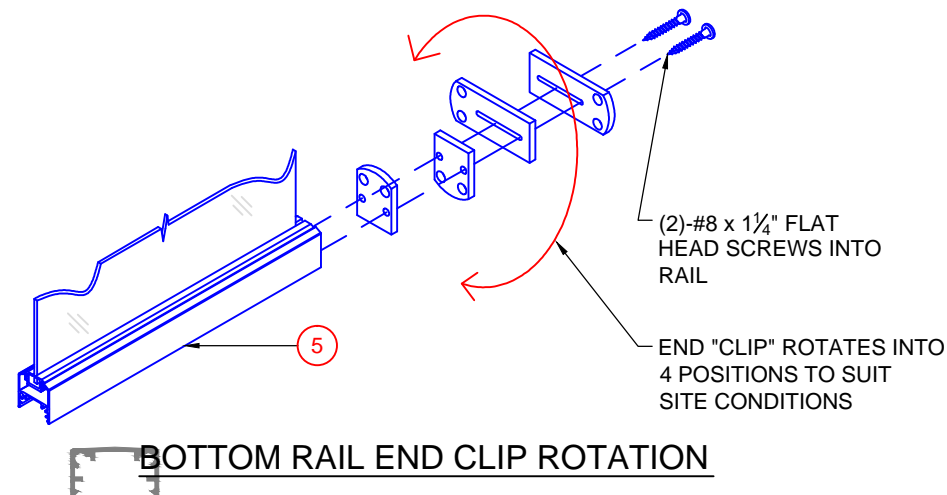
* SEE NOTE (2)

* SEE NOTE (2)

SECTION B-B

(2) - #14 X 1" SCREWS INTO
ALUMINUM POST (TYP.)
& (2) - #8 X 1 1/4" FLAT HEAD
SCREWS TO BOTTOM RAIL

1	2 1/4" SQUARE <input type="checkbox"/> OR ROUND TOP <input type="checkbox"/> RAIL (CHECK CORRECT BOX)
2	(NOT SHOWN)
3	TEMPERED GLASS PANEL 5mm THK. IN CANADA <input type="checkbox"/> OR 1/4" THK. IN USA <input type="checkbox"/> (CHECK CORRECT BOX)
4	2 1/2" STANDARD ALUMINUM POST
5	BOTTOM GLASS CHANNEL W/ (2)-#8 X 1/2" PAN HEAD SHEET SCREWS TO BLOCK
6	FASCIA BRACKET (2 1/2" POST)
7	TOP GLAZING GASKET
8	BOTTOM GLAZING GASKET
9	TOP RAIL END CLIP
10	BOTTOM RAIL END CLIP
11	(NOT SHOWN)
12	(NOT SHOWN)
13	GLASS SETTING BLOCK -1/2" X 1/2" X 2"

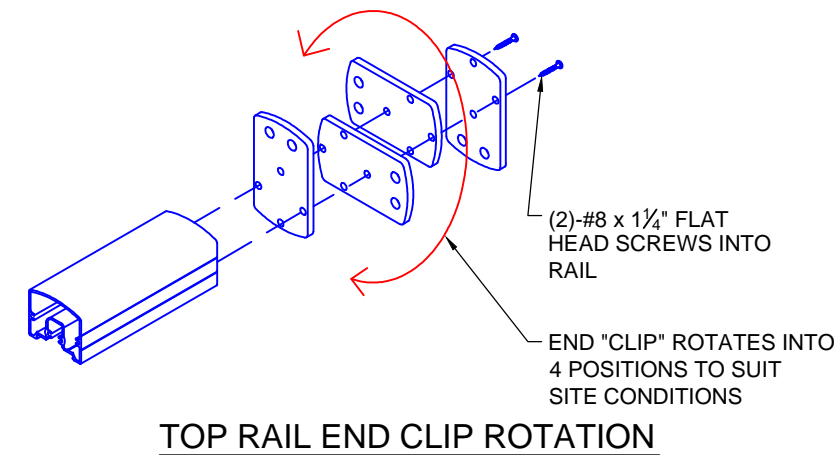


BOTTOM RAIL END CLIP ROTATION

(2)-#8 x 1 1/4" FLAT
HEAD SCREWS INTO
RAIL

END "CLIP" ROTATES INTO
4 POSITIONS TO SUIT
SITE CONDITIONS

NOTES:
(1) BUILDING GENERAL CONTRACTOR MUST ENSURE THAT
PROPER BACKING IS PROVIDED FOR FIRM ANCHORAGE OF
GUARD RAIL ENDS
(2) TOP & BOTTOM END CLIPS ROTATE IN 4 POSITIONS
(DEFAULT POSITION SHOWN, ROTATE TO SUIT SITE
CONDITIONS PER 3D DIAGRAM BELOW.



TOP RAIL END CLIP ROTATION

(2)-#8 x 1 1/4" FLAT
HEAD SCREWS INTO
RAIL

END "CLIP" ROTATES INTO
4 POSITIONS TO SUIT
SITE CONDITIONS

DRAWN	RK	PROJECT No	YEAR / No
DESIGNED	RDH	CHECKED	RDH
SCALE	NTS	CHECKED	DATE